

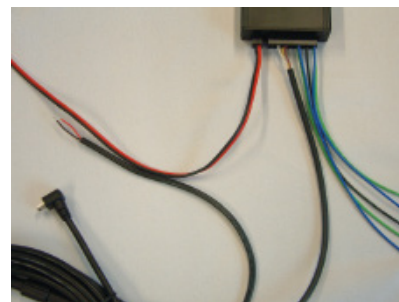


Installation

ENAIK00N locate-06 with Garmin®

Straightforward installation

Connect the black and the red cable of the locate-06 and the black and red end from the Telematic-cable to the terminal 31 (black) and terminal 30 (red), and connect the digital Input 4 (green) to ignition, install the combined GSM/GPS antenna, connect the plug of the Telematic-cable to the Garmin® nüvi. That's all.



Garmin® Telematic-cable



Garmin® nüvi 465

Battery positive pole 6 - 31 V (red, terminal 30): Please connect to a cable with direct connection to the positive pole of the battery or to a VCC supply. It is important to ensure that no power supply is selected, where there is the possibility that the vehicle can cut off the electricity supply to the ENAIK00N tracking device, using a so called consumer shutdown. Your service station can help you set this up correctly.

Ground (black, terminal 31): Please connect directly to the car body, not to the battery negative pole
Digital Input 4, green (Ignition - terminal 15): Please do not connect it to the car radio or to the terminal 15r or terminal 30z or to the cable with tension of the ignition switch 1, but connect it directly to the terminal 15 and to the cable with tension of the ignition switch 2

Digital Output 1, blue
Ground - car body (terminal 31, black)
Digitaler Input 1, green
Digital Output 4, blue

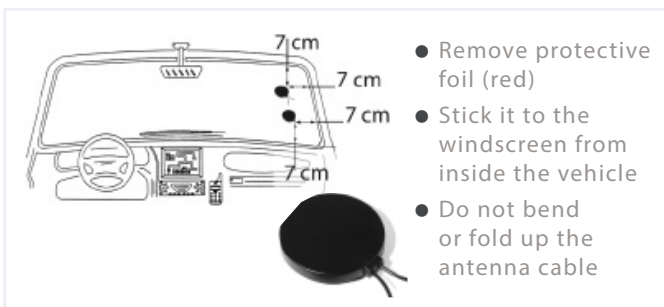
ENAIK00N

ENAIK00N GmbH
 Stendaler Str. 26
 12627 Berlin
 Germany

Tel.: +49 30 397475-30
 Fax: +49 30 397475-40
info@enaikoon.com
www.enaikoon.com

Service hotline:

Mon. - Fri., 9:00 - 13:00
 and 14:00 - 17:00 CET



- Remove protective foil (red)
- Stick it to the windscreen from inside the vehicle
- Do not bend or fold up the antenna cable

We strongly dis advise using cable binders or strip connectors. Please use a soldering pen to connect the cables, and check continuity afterwards.

Please ensure that there is no material between the ENAIK00N locate-06 antenna and the sky that may interfere with the radio transmission, such as metal, water, metal oxide windscreens, or plastic with a metal varnish.

Keep a minimum distance of 1 metre (1 yd) from other antennas mounted to the vehicle (i.e. radio antenna, toll collect antenna, car phone antenna etc.)
 A minimum distance of 7 cm (2.8 in) must be kept from the front shield frame.



WARNING: Problems may arise in vehicles with heated or metal oxide windscreens.