

# Installation

ENAIK00N locate-06 with ENAIK00N fuel-tracker and Garmin Navigation device

## Easy Installation

### Power connection:

- Simply connect ENAIK00N locate-06 to the power supply and the digital input 4 to the ignition.
- Plug-in the Garmin® nüvi Telematic-cable, and connect the open red and black ends, together with the ENAIK00N locate-06, to the power supply.

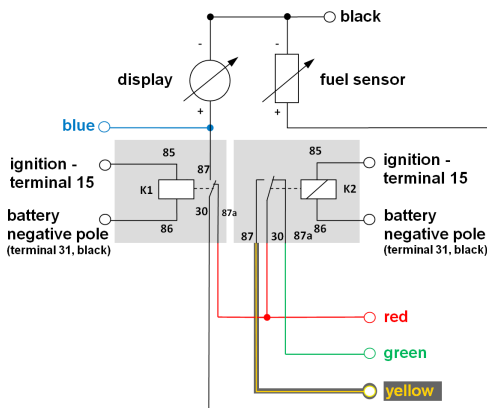
### Relays K1 and K2\* connection:

As shown in the diagram, connect the other open wires (red, black, green, blue and yellow) to the (not provided in the package) relays K1 and K2\*.

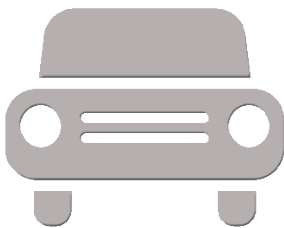
- Split the positively charged wire that connects the fuel gauge and the fuel sensor.
- Connect the wire end from the fuel sensor to terminal 30 K1 on the relay.
- Connect the wire end from the fuel gauge, together with the blue wire, to terminal 87 K1 on the relay.
- Connect the red wire to terminal 30 K2 and terminal 87a K1 on the relays.
- Connect the green wire to the terminal 87a K2.
- Connect the yellow wire to the terminal 87 K2.
- Then connect the relays K1 and K2 to the ignition terminal 15, and to the battery negative pole (terminal 31, black).

\* The relays K1 and K2 are not included in the delivery.

### Relays K1, K2\* and fuel sensor (see right for connection)



Relays K1 and K2 (see page 2 for enlarged diagram)



 Please tighten the antenna cable connection by hand only!

Please ensure, that there is no material between the GSM/GPS windscreen antenna and the sky that might interfere with the radio transmission, especially metal, water, metallic evaporated windscreen or metallic varnished plastic parts.

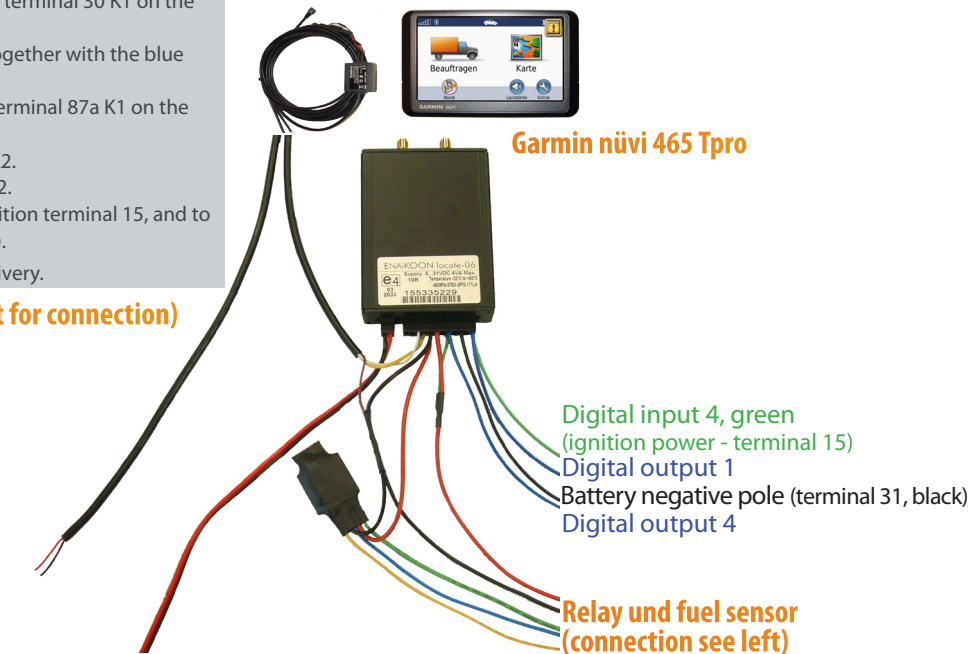
Please ensure a minimum distance of 1 meter (1 yd) to other antennas mounted to the vehicle (radio antenna, toll collect antenna, car phone antenna etc.), as well as a minimum distance of 7 cm (2.8 in) to the frame of the front shield.



### Garmin Telematic-cable



Garmin nüvi 465 Tpro



Digital input 4, green (ignition power - terminal 15)

Digital output 1

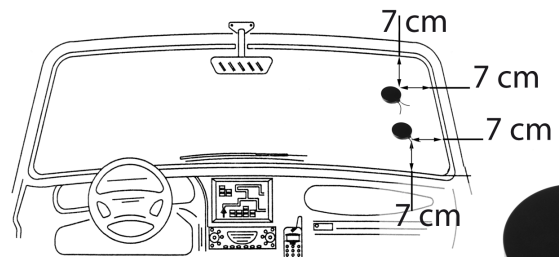
Battery negative pole (terminal 31, black)

Digital output 4

Relay und fuel sensor (connection see left)

Battery negative pole (terminal 31, black)

Battery positive pole (terminal 30, red)



- Foils (white) to be removed
- Stuck from inside to the window
- Do not fold or roll the antenna cable

**ENAIK00N**  
distance under control

ENAIK00N GmbH  
Helmholtzstr. 2-9  
10587 Berlin - Germany

Phone: +49 30 39 74 75-34

Fax: +49 30 39 74 75-43

[technik@enaikoon.de](mailto:technik@enaikoon.de)

[www.enaikoon.de](http://www.enaikoon.de)

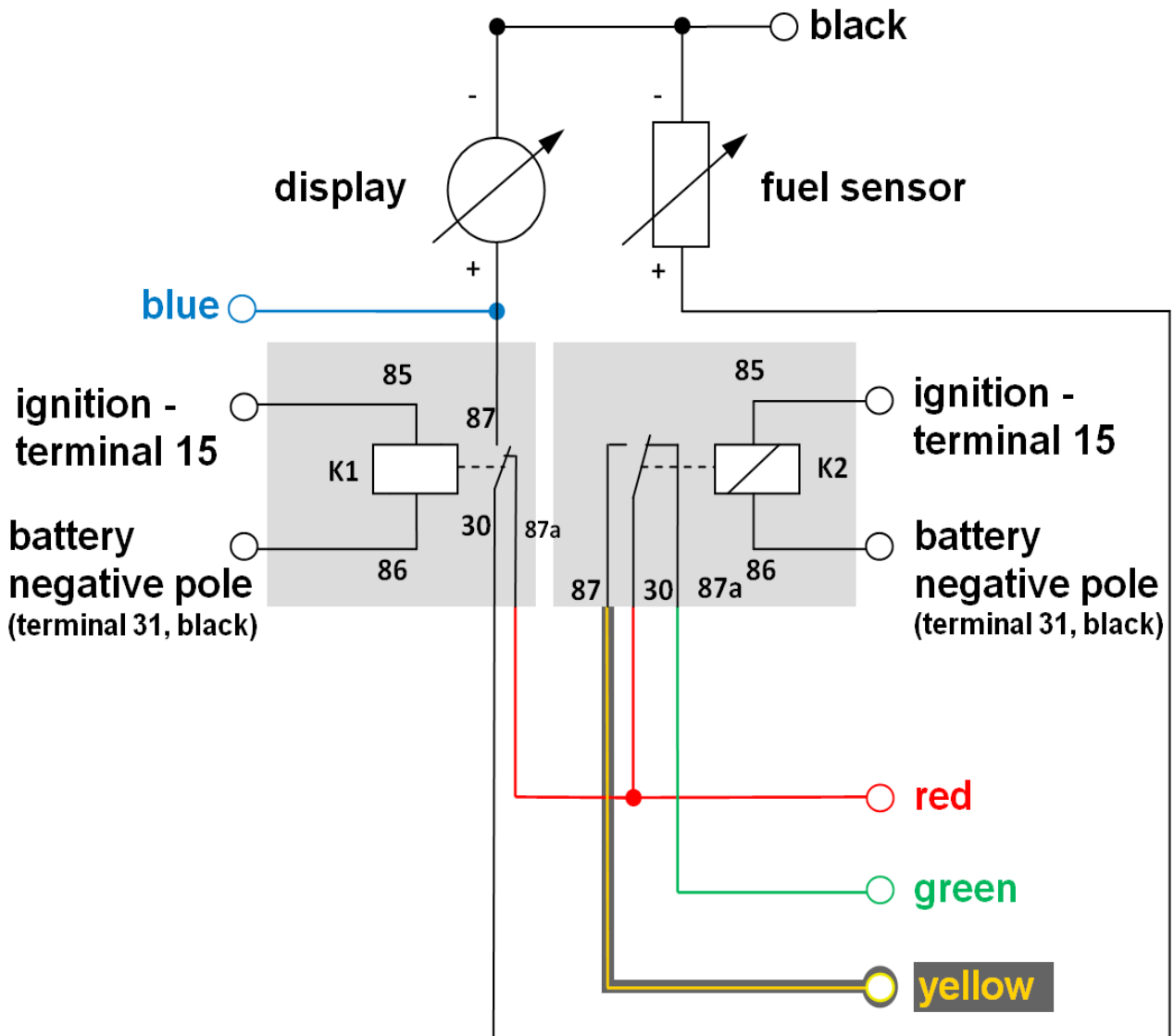
Service-Hotline: Mo. - Fr.,

9:00 - 13:00 and 14:00 - 17:00 CET

# Installation

ENAIKOON locate-06 with ENAIKOON fuel-tracker and Garmin Navigation device

Relays details K1, K2\* and fuel sensor - see page 1 for connection to ENAIKOON locate-06



**Please tighten the antenna cable connection by hand only!**

Please ensure, that there is no material between the GSM/GPS windscreen antenna and the sky that might interfere with the radio transmission, especially metal, water, metallic evaporated windscreen or metallic varnished plastic parts.

Please ensure a minimum distance of 1 meter (1 yd) to other antennas mounted to the vehicle (radio antenna, toll collect antenna, car phone antenna etc.), as well as a minimum distance of 7 cm (2.8 in) to the frame of the front shield. There may be problems with the GPS receiver in vehicles with heated windscreens.

**ENAIKOON**  
distance under control

ENAIKOON GmbH  
Helmholtzstr. 2-9  
10587 Berlin - Germany

Phone: +49 30 39 74 75-34

Fax: +49 30 39 74 75-43

[technik@enaikoon.de](mailto:technik@enaikoon.de)

[www.enaikoon.de](http://www.enaikoon.de)

Service-Hotline: Mo. - Fr.,

9:00 - 13:00 and 14:00 - 17:00 CET