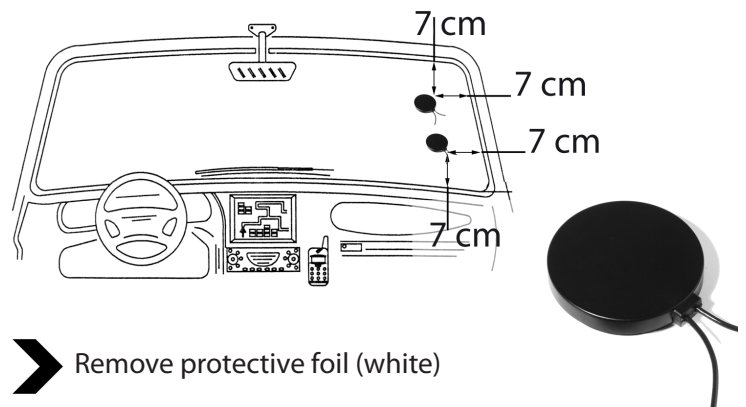
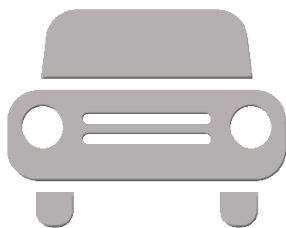
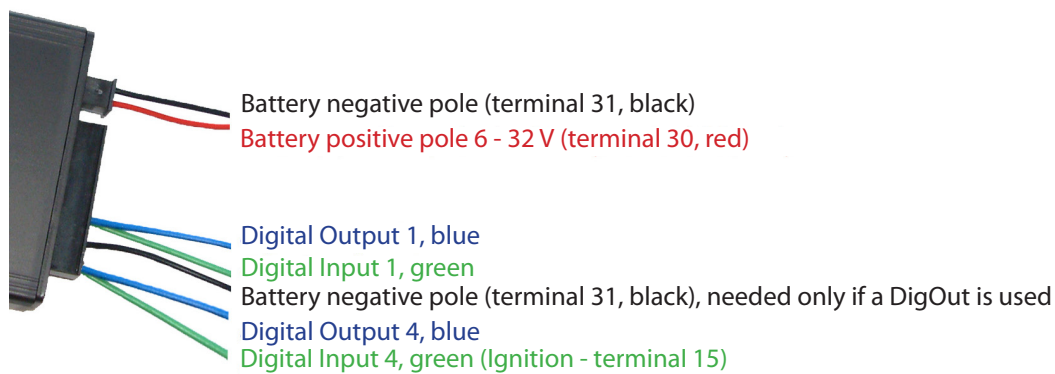


Installation

ENAIK00N locate-06 to VCC

Straightforward installation:

Just connect the ENAIK00N locate-06 to VCC and the DigIn4 to the Ignition, attach the GSM/GPS antenna to the related connectors and mount the antenna. That's all.



- Remove protective foil (white)
- Stick it to the windscreen from inside the vehicle
- Do not bend or fold up the antenna cable



Please mount the antenna connectors hand tight only!

Please ensure, that there is no material between the GSM/GPS windscreen antenna and the sky that might interfere with the radio transmission, especially metal, water, metallic evaporated windscreen or metallic varnished plastic parts.

Please ensure a minimum distance of 1 meter (1 yd) to other antennas mounted to the vehicle (radio antenna, toll collect antenna, car phone antenna etc.), as well as a minimum distance of 7 cm (2.8 in) to the frame of the front shield.

ENAIK00N
distance under control

ENAIK00N GmbH
Helmholtzstr. 2-9
10587 Berlin
Germany

Tel.: +49 (0)30 / 39747534
Fax: +49 (0)30 / 39747543
service@enaikoon.com

Service hotline: Mon. - Fri.,
9:00 - 13:00 and 14:00 - 17:00 CET